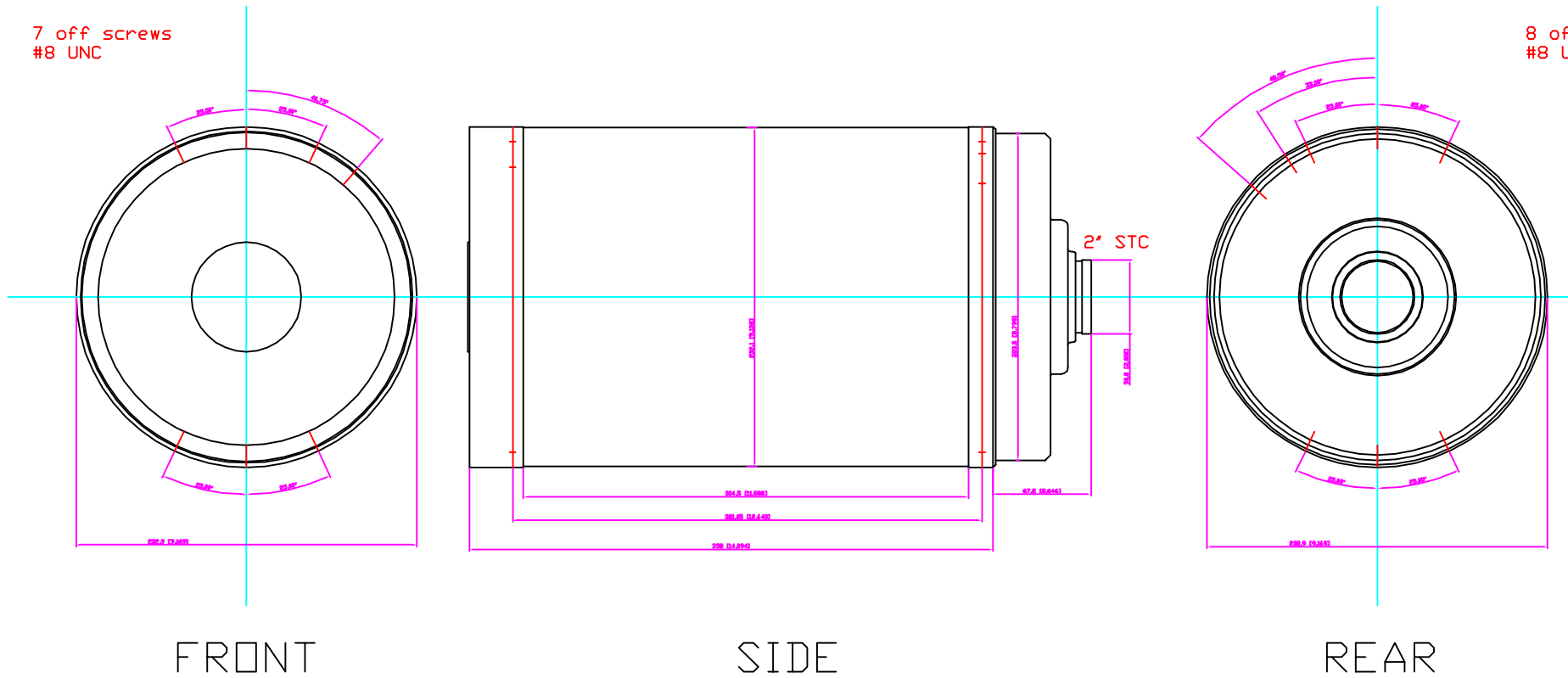


MEADE LX200GPS SMT UHT 8" manufactured September 2005

7 off screws
#8 UNC

8 off screws
#8 UNC



Scale: 1 drawing unit = 1mm (metric)